

Secto Design Oy  
Kauppalaantie 12  
02700 Kauniainen  
Finland  
tel. +358 9 5050598  
fax +358 9 5475 2535  
info@sectodesign.fi  
www.sectodesign.fi

Secto Design



### **Owalo 7000 pendant**

natural birch, black laminate or white laminate, walnut veneer

- The shade is made of form pressed birch slats
- White and black finishes have been laminated
- Walnut finish has a waxed walnut veneer on top
- Height of the shade is 13 cm, length 100 cm, width 9 cm, weight 3,2 kg
- 2 steel wires and transparent power cable, standard length 200 cm, maximum length 300 cm
- Light source (included): LED, 21 W, 2800K, min. 1000 lm, dimmable
- Power supply by Lichteck/GE, dimmable with Trailing Edge dimmers
- Power box is a white rectangular ceiling box, which is to be installed at max 300 cm from the lamp. Dimensions of the ceiling box: 305 x 43 x 43 mm
- International Protection Rating: IP20
- Dimension of the transport box: 103 x 23 x 16 cm, 4,7 kg

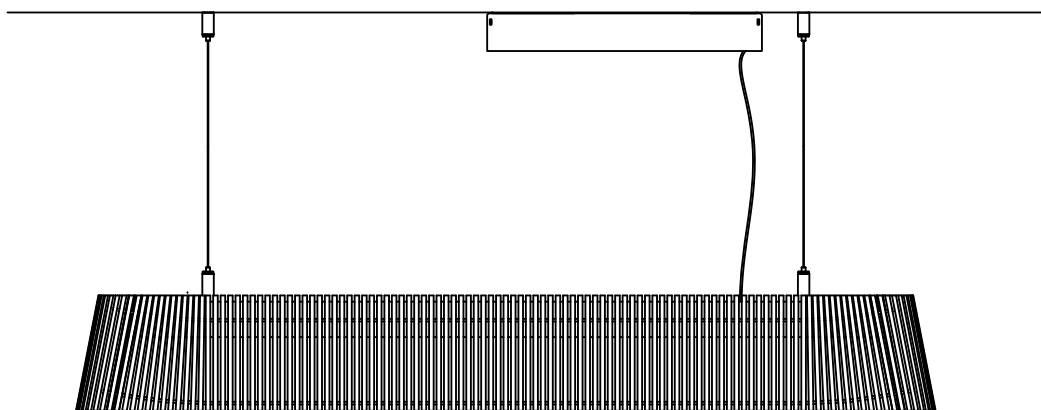
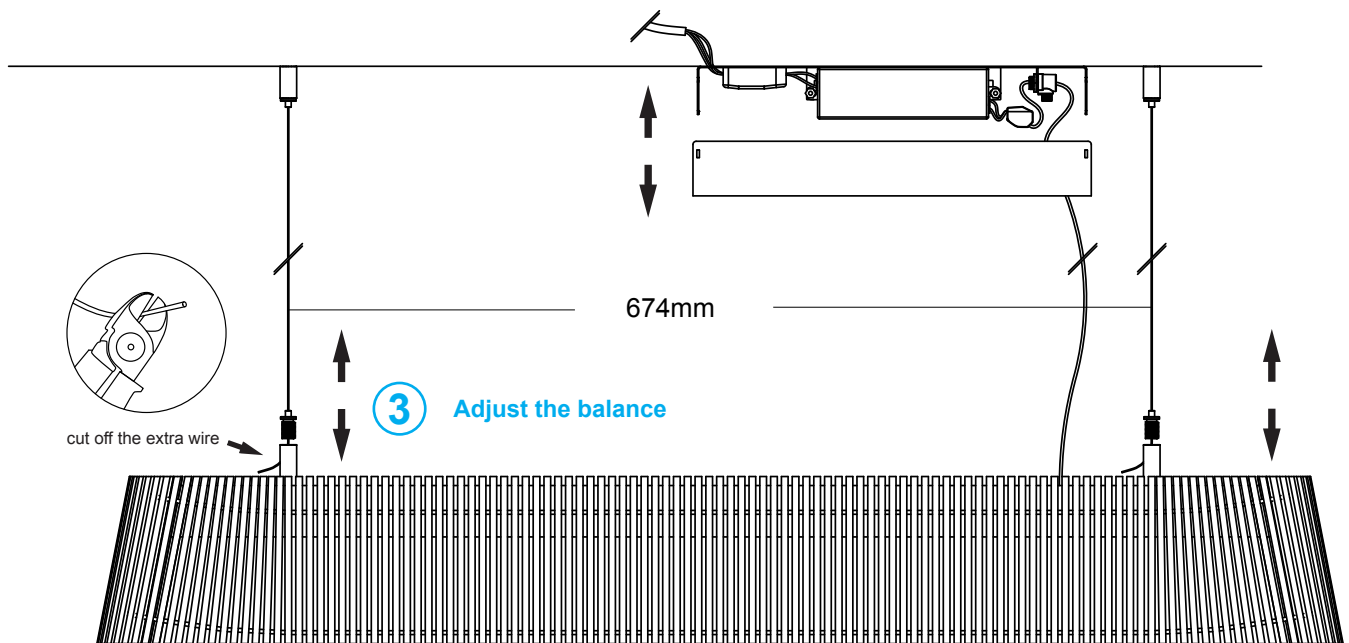
# Secto Design

## Owalo 7000 pendant light

## Technical specifications Assembly instructions

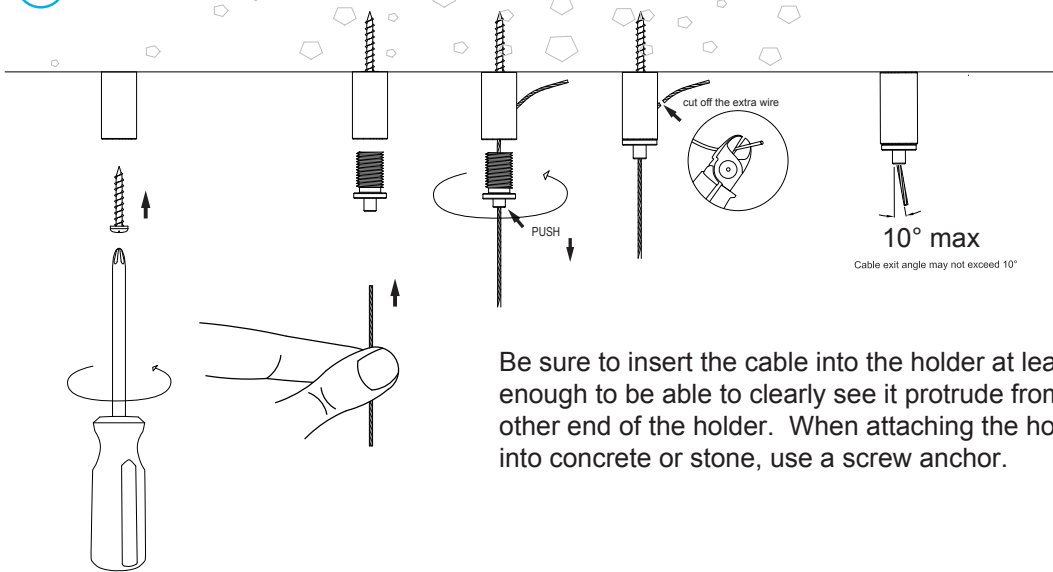
① Assembly cable holder

② Connect



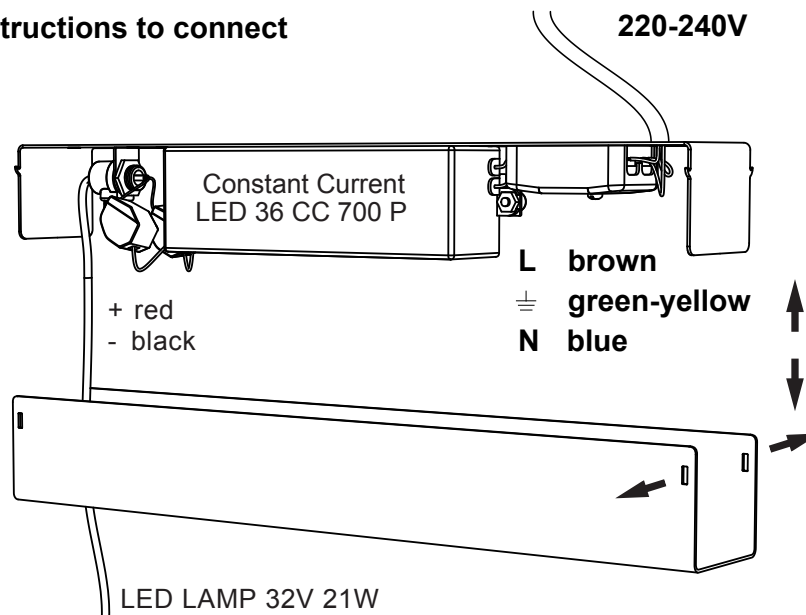
**Install in accordance with national and local electrical codes.  
All installation works must be performed with specialized personnel.**

**1 Assembly instructions to cable holder**



Be sure to insert the cable into the holder at least far enough to be able to clearly see it protrude from the other end of the holder. When attaching the holder into concrete or stone, use a screw anchor.

**2 Assembly instructions to connect**



|                     |  |
|---------------------|--|
| <b>Power use</b>    | 21 W   |
| <b>Voltage</b>      | 220 240V 50/60 Hz                            |
| <b>Output</b>       | 32V 700 mA                                   |
| <b>Cord length</b>  | Standard 2 m, max 3 m                        |
| <b>Power box</b>    | white ceiling box 310 x 43 x 45 mm, RAL 9016 |
| <b>Power supply</b> | GE/Lightech, trailing edge dimmable          |

**INDOOR USE ONLY**

**Recommended models in Finland:**

Schneider / Artic ATD315R  
Art numero: CCTFL12011  
EAN: 3606480297373  
Sähkönumero: 3512439



Please note this is the model in Finland, check with your local electrician for an equivalent in your country.



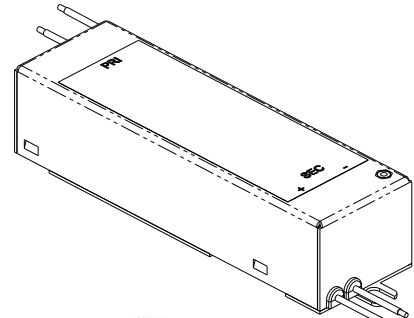
**LED DRIVER DC CC, POTTED**  
**LED 36 DC 700mA P/PU Ver.1**  
**LED 36 DC 1050mA P Ver.1**

**Features**

1. Dimmable with Trailing Edge dimmers
2. Designed for IP67
3. Reinforced insulation from input to output
4. High efficiency
5. PFC: > 0.95
6. Fully protected: Short circuit, Input voltage surge, Thermal, Secondary switch Overload regulation, Over voltage protection. Self-resettable
7. AC/DC

**Applications**

1. Led in- and outdoor lighting
2. Street lighting
3. Architectural lighting
4. Signage
5. Indication and orientation lighting
6. Ambience lighting

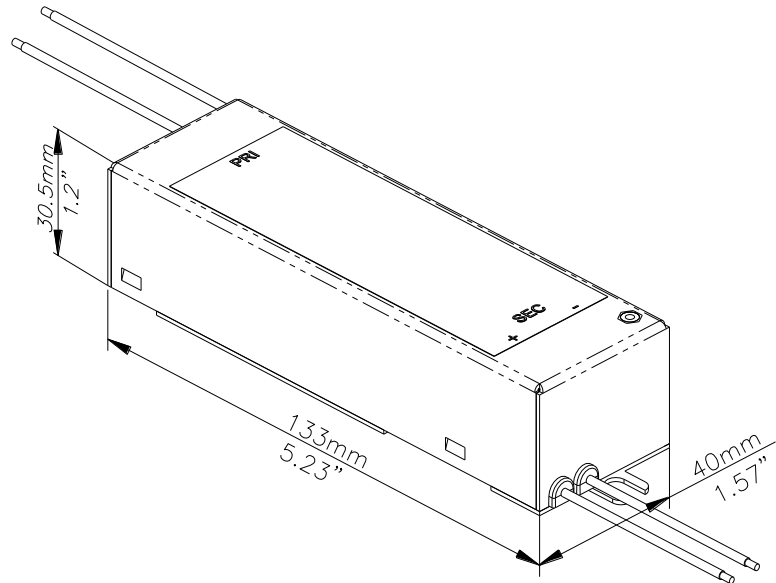


**Specifications**

| VERSION     |   | 36 WATT 700mA  |             | 36 WATT 1050mA      |
|-------------|---|--|-------------|---------------------|
| SKU No.     |   | 901036700P   | 901036700PU | 9010361050P         |
| INPUT       | VOLTAGE RANGE (V)   | 220-240  | 120-277     | 220-240             |
|             | FREQUENCY RANGE (Hz)  | 50/60  | 50/60       | 50/60               |
|             | POWER FACTOR  | 0.97   | 0.99        | 0,98                |
|             | EFFICIENCY (Typ.)%  | 89   | 88-89       | 89                  |
|             | AC CURRENT (A)  | 0.2  | 0.35-0.15   | 0.2                 |
|             | INRUSH CURRENT (A)  | -  | -           | -                   |
| OUTPUT      | VOLTAGE (V) Note 3  | 4-52   | 4-52        | 4-36                |
|             | CURRENT (A) Note 3  | 0.7  | 0.7         | 1,05                |
|             | RATED POWER (W)   | 36   | 36          | 36                  |
| DIMMABLE    | REVERSE PHASE CONTROL (TRAILING EDGE)   | TO 25%   | TO 10%*     |                     |
| PROTECTION  | INPUT VOLTAGE SURGE   | YES  | YES         | YES                 |
|             | OVER TEMPERATURE  | YES  | YES         | YES                 |
|             | SHORT CIRCUIT PROTECTION  | YES  | YES         | YES                 |
|             | REINFORCED INSULATION   | YES  | YES         | YES                 |
| ENVIRONMENT | Ta (°C)   | -25...+70  | -25...+50   | -25...+70           |
|             | Tc (°C)   | 85   | 90          | 85                  |
|             | WORKING HUMIDITY  | IP67   | OUTDOOR     | IP67                |
|             | STORAGE TEMP. (°C)  | -10...+70  | -10...+70   | -10...+70           |
| STANDARDS   | VDE SAFETY  | ENEC; EN61347-1; EN61347-2-13; EN62384 (P VERSION)     |             | PENDING             |
|             | VDE EMC   | EN61547; EN61000-3-3; EN61000-3-2; EN55015 (P VERSION) |             | PENDING             |
|             | UL  | N/A  | E322460     | N/A                 |
| MECHANICAL  | PLASTIC/ METAL CASE   | METAL  | METAL       | METAL               |
|             | INPUT WIRES COLOR   | BRW/BLU  | BLK/WHT     | BRW/BLU             |
|             | INPUT WIRES SIZE  | 0.75mm <sup>2</sup>                                    | 18AWG       | 0.75mm <sup>2</sup> |
|             | OUTPUT WIRE COLOR   | BLK/RED  | BLK/RED     | BLK/RED             |
|             | OUTPUT WIRE SIZE  | 18AWG  | 18AWG       | 18AWG               |
|             | WEIGHT  | 0.28kg   |             |                     |
| NOTE        | 1. All parameters are measured at rated input, rated load and 25°C of ambient temperature.          |  |             |                     |
|             | 2. Specifications may vary from time to time without notice.  |  |             |                     |
|             | 3. Tolerance: includes set up tolerance, line regulation and load regulation.                       |  |             |                     |
|             | 4. Subject to standard warranty, terms and conditions as published from time to time.               |  |             |                     |
|             | 5. *Tested with Lightech recommended dimmers, contact your sales representative for further details |  |             |                     |

LED 36 DC 700mA P/PU Ver.1  
LED 36 DC 1050mA P Ver.1

Mechanical Drawing



Mounting Instructions

$A \geq 25\text{mm}; B \geq 100\text{mm}$

**LED 36 DC 700mA**  
From 4 to 12 leds in series.

**LED 36 DC 1050mA**  
From 4 to 10 leds in series.

Safety Instructions

1. Always disconnect power before installation and/or removal of the unit.
2. Install in accordance with national and local electrical codes.

# SECTO DESIGN OWALO 7000



This luminaire contains built-in LED lamps.

A<sup>++</sup>

A<sup>+</sup>

A

~~B~~

~~C~~

~~D~~

~~E~~

} LED

The LED lamps cant be changed in the luminaire.



874/2012